



FTM06D-I

Inline Type Air Flow Transmitter

Air flow / Air velocity-FTM06D-I

www.eyc-tech.com


| Features |

- Thermal mass flow sensor
- Accuracy : $\pm 1.5\%$ F.S., Operating pressure : Max. 16 bar
- Multiple output option : 4 ... 20 mA / 0 ... 10 V / RS-485 / Frequency / Pulse (Option)
- Full pipe size range (DN15 / DN25 / DN40 / DN50), easy installation
- Built-in temperature compensation, accurate measurement
- Calibrated by sonic nozzles calibration system
- Stainless steel housing, aluminum alloy pipe
- Connecting to software via RS-485 enables data logging, graph recording, and cumulative flow display (optional)

| Applications |

Compressed air system / Pneumatic system / Refrigerated air dryer / Adsorption air dryer /
Air consumption monitoring / Pipeline leak monitoring

| Specification |

Input

Sensor type	Thermal mass flow sensor
Measuring range*	DN15 : 0.1 ... 76 m ³ /h
	DN25 : 0.4 ... 212 m ³ /h
	DN40 : 0.9 ... 543 m ³ /h
	DN50 : 1.5 ... 848 m ³ /h

*The measurement range is defined at the standard condition(1013 mbar, 20°C).

Output

Output signal	4 ... 20 mA / 0 ... 10 V / RS-485
	Frequency (0 ... 100 Hz)
	Pulse (1 ... 100 l/pulse, option)
Signal connection	3-wire
Warm-up time	About 60 sec
Response time	t ₉₀ ≤ 3 sec
Load resistance	Voltage output : ≥ 100 KΩ
	Current output : ≤ 250 Ω

Accuracy

Accuracy	± 1.5% F.S.
Temp. influence	0.05% / °C
Repeatability	0.5%

Environmental

Medium	Air / Non-corrosive gas
Operating Temp. & Humid.	0 ... 50°C / 20 ... 90%RH(Non-condensing)
Storage Temp.	-20 ... 85°C
Operating pressure	16 bar

Electrical

Power supply	DC 24 V ± 10%
Current consumption	24 V : 110 mA
Electrical connection	M12

Installation

Pipe size	DN15 (1/2")
	DN25 (1")
	DN40 (1-1/2")
	DN50 (2")
Pipe connection	G thread

Certification

Certification	CE
---------------	----

Protection

IP rating	IP65 (IP67 option)
Electrical protection	■ Reverse polarity
	■ Over-voltage
	■ Short-circuit

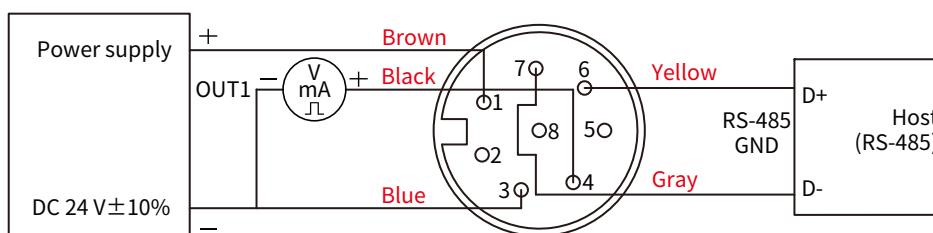
Material

Cover	PC
Housing	SUS304
Pipe	Aluminum alloy
Probe head	PC with glass fiber
Weight	DN15 (1/2") : 697 g
	DN25 (1") : 811 g
	DN40 (1-1/2") : 1232 g
	DN50 (2") : 1021 g

Display & Operation (See manual for details)

Display value	4 digits, adjustable brightness
Measurement display	Out1 (Default : Nm ³ /h)
Unit selection	Nm ³ /h · L/min

| Diagram |



*Please make sure the product and the device which connect with RS-485 are on common ground, avoid damaged product.

| Calibration System |

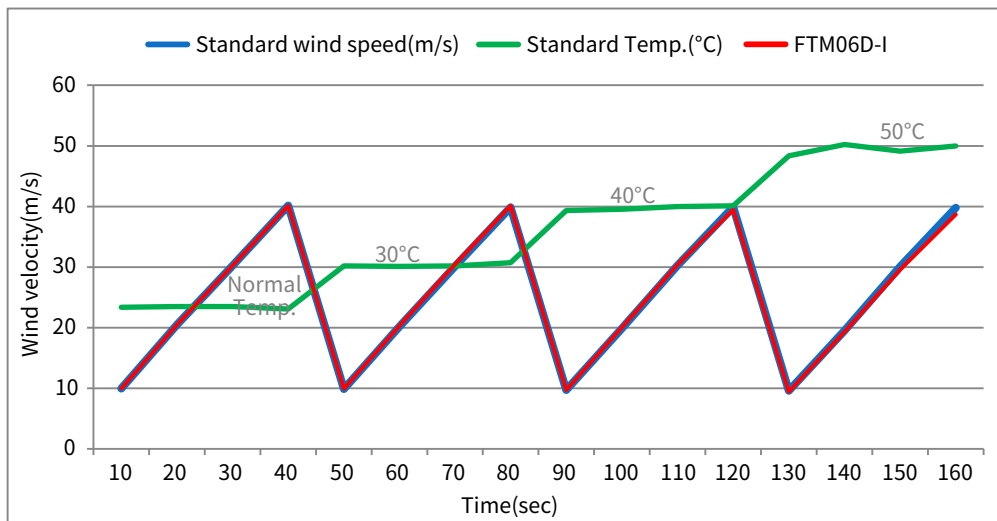


Air volume standard calibration system

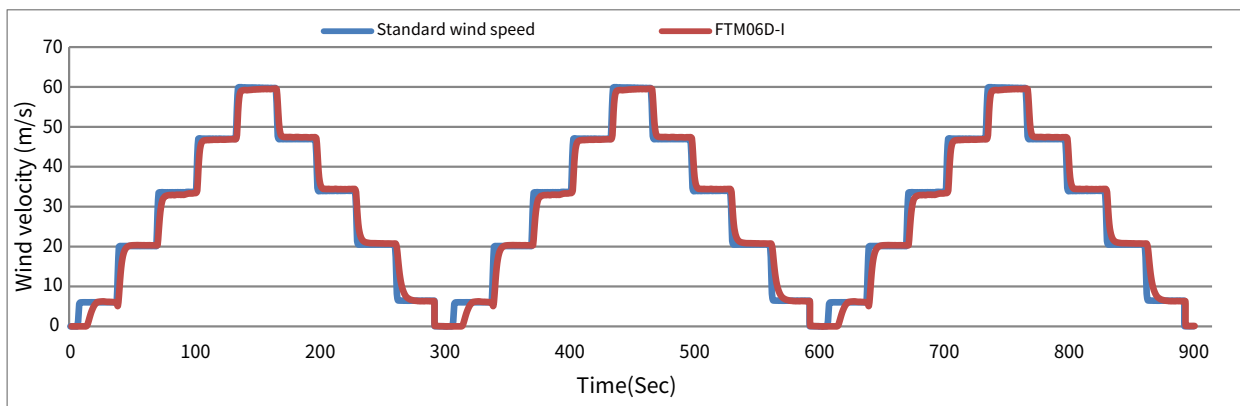
Air volume : 0.5 m³/h ... 1000 m³/h

Referring to ISO 9300 "Flow Measurement of Critical Flow Venturi Nozzles", this device is a standard flow device combination consisting of multiple venturi nozzles according to the maximum and minimum flow ranges that need to be calibrated.

| Temperature Compensation Verification |

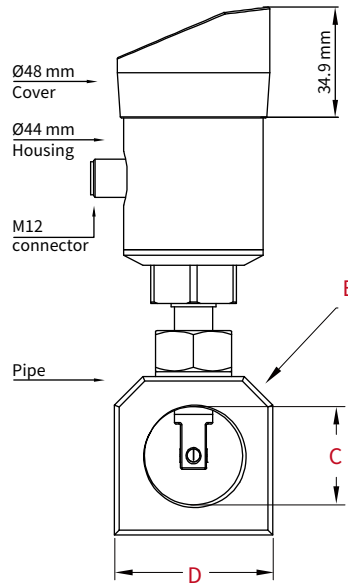
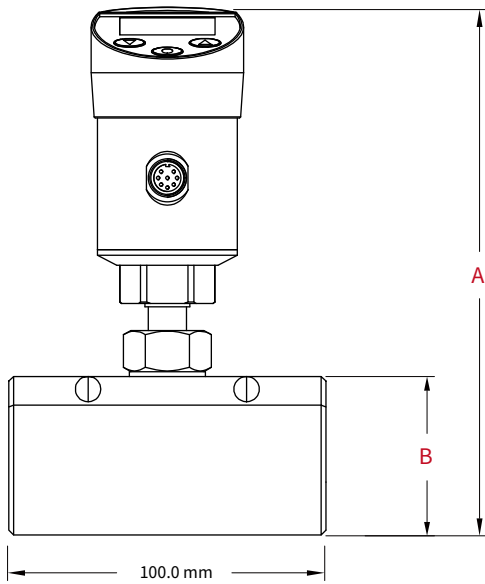
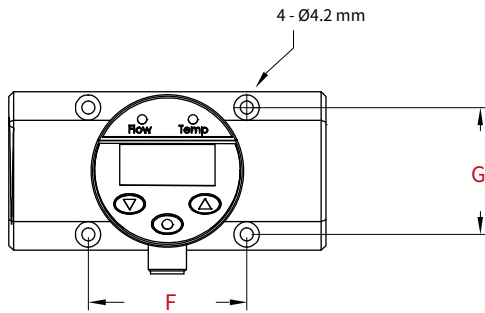


| 3-Cycle Linear Curve |



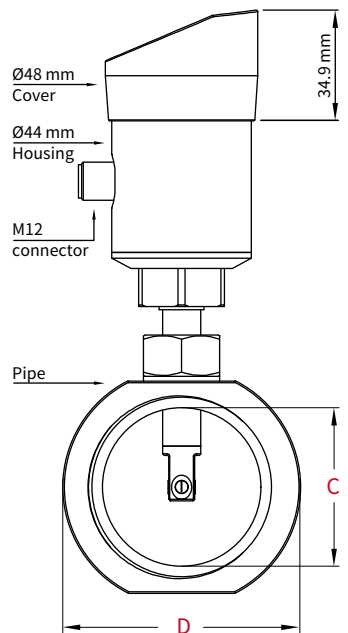
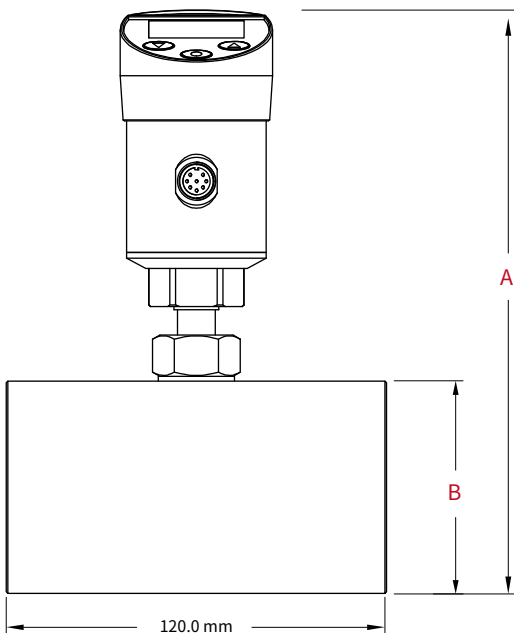
Dimension | Unit : mm

■ DN15 (1/2") 、DN25 (1")



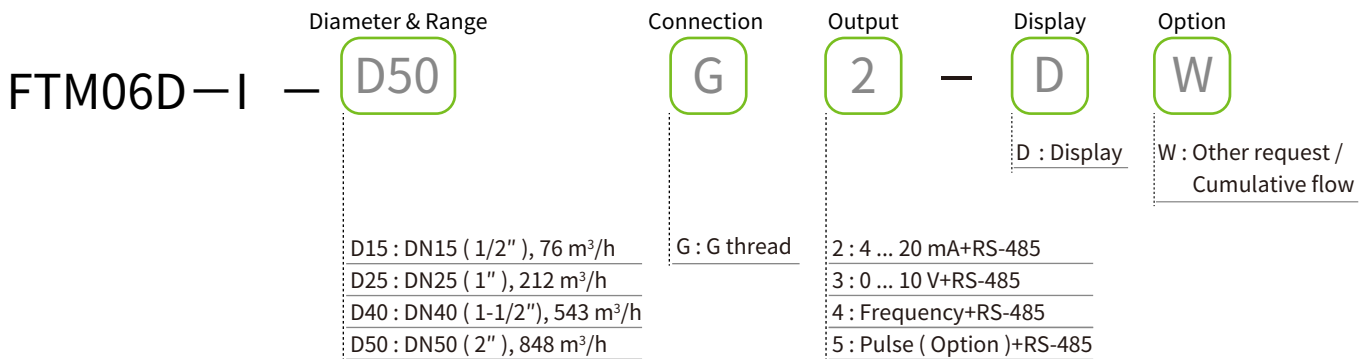
	DN15 (1/2")	DN25 (1")
A	161.4 mm	166.4 mm
B	40.0 mm	50.0 mm
C	DN15 (1/2")	DN25 (1")
D	40.0 mm	50.0 mm
E	Suitable for M4 screws length above 45 mm	Suitable for M4 screws length above 55 mm
F	35.0 mm	50.0 mm
G	30.0 mm	40.0 mm

■ DN40 (1-1/2") 、DN50 (2")



	DN40 (1-1/2")	DN50 (2")
A	183.9 mm	183.9 mm
B	67.0 mm	67.0 mm
C	DN40 (1-1/2")	DN50 (2")
D	75.0 mm	75.0 mm

| Ordering Guide |



| Air Velocity / Flow Conversion Table |

ID of pipe	Air velocity inside pipe			
	40m/s	60m/s	90m/s	120m/s
DN15 (1/2")	25 m ³ /h	38 m ³ /h	57 m ³ /h	76 m ³ /h
DN25 (1")	71 m ³ /h	106 m ³ /h	159 m ³ /h	212 m ³ /h
DN40 (1-1/2")	181 m ³ /h	271 m ³ /h	407 m ³ /h	543 m ³ /h
DN50 (2")	283 m ³ /h	424 m ³ /h	636 m ³ /h	848 m ³ /h

| Additional Option Test Report | For more detailed information please contact us.

■ ILAC / TAF

YUDEN-TECH CO.,LTD. Calibration Laboratory - (ILAC / TAF) Test report.
 (TAF accreditation : 3032, complying with ISO / IEC 17025) TAF has mutual recognition arrangement with ILAC MRA

Project	Measurand level or range
Air velocity transmitter	0.2 m/s ... 60 m/s

■ ISO 9001

Project	Measurand level or range
Air velocity / Air volume	Air velocity : ≤ 120 m/s
	Air volume : 0.5 m ³ /h ... 1000 m ³ /h